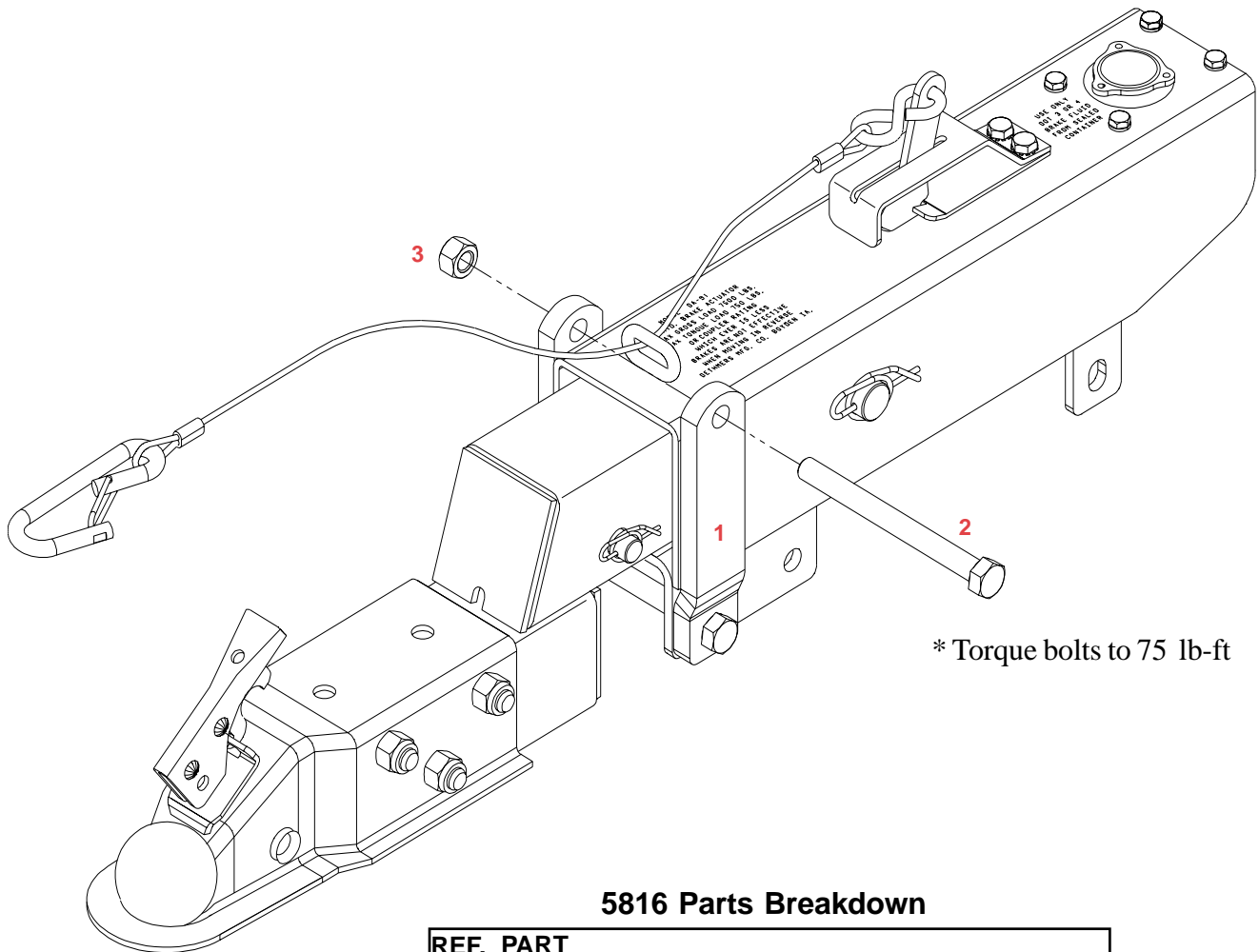


Demco manufacturing

Dethmers Manufacturing Company

DOING OUR BEST TO PROVIDE YOU THE BEST

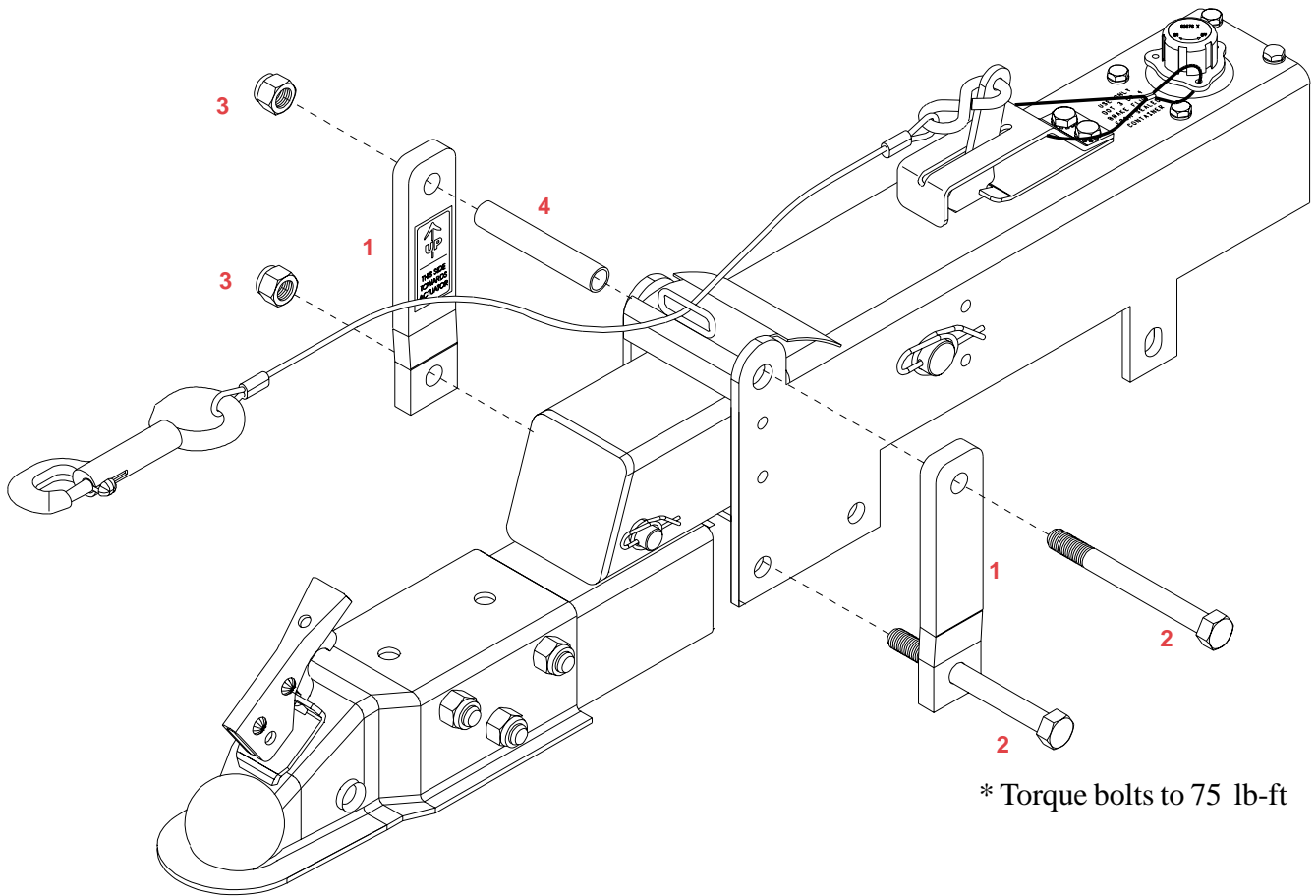
5816 BEEF-UP KIT FOR DA91 WITH SLIDES (NEW STYLE)



5816 Parts Breakdown

REF. PART NO.	NO.	QTY.	DESCRIPTION
1.	11997-95	2	Beef-up Plate
2.	04053	2	1/2"NC X 5 1/2" Hex Head Bolt
3.	02178	2	1/2"NC Nylon Insert Lock Nut

5501 BEEF-UP KIT FOR DA91 WITH ROLLERS (OLD STYLE)



5501 Parts Breakdown

REF. PART NO.	NO.	QTY.	DESCRIPTION
1.	07925-95	2	Beef-up Plate
2.	04053	2	1/2"NC X 5 1/2" Hex Head Bolt
3.	02178	2	1/2"NC Nylon Insert Lock Nut
4.	07926-95	1	Top Roller Spacer
5.	01338	1	1/2"NC X 4 1/2" Hex Head Bolt