

Demco manufacturing

Dethmers Manufacturing Company

DOING OUR BEST TO PROVIDE YOU THE BEST

“QUICK TACH”

200 & 300 GALLON FRONT MOUNT

OWNERS MANUAL

ASSEMBLY
CALIBRATION
OPERATION
REPLACEMENT PARTS

**READ complete manual CAREFULLY
BEFORE attempting operation.**



DEMCO • Dethmers Mfg. Co. • 4010 320th St. • P.O. Box 189 • Boyden, IA 51234
PH: (712) 725-2311 • Toll Free: 1-800-543-3626 • FAX: 1-800-845-6420
www.demco-products.com

Thank you for purchasing a Demco “Quick Tach” Front Mount Tank. We feel you have made a wise choice and hope you are completely satisfied with your front mount and tank. If you have any questions regarding the applications of certain solutions or chemicals, contact your chemical supplier and follow chemical manufacturer recommendations as well as all licensing and use restrictions or regulations.



WARNING: TO AVOID PERSONAL INJURY OR PROPERTY DAMAGE, OBSERVE FOLLOWING INSTRUCTIONS:

Chemicals are dangerous. Know exactly what you're going to do and what is going to happen before attempting to work with these products. Improper selection or use can injure people, animals, plants and soil.

Always wear protective clothing such as coveralls, goggles and gloves when working with chemicals or sprayer.

Be sure to dispose of all unused chemicals or solutions in a proper and ecologically sound manner.

GENERAL INFORMATION

1. Unless otherwise specified, high-strength (grade5) (3 radial-line head markings) hex head bolts are used throughout assembly of this sprayer.
2. Whenever terms "**LEFT**" and "**RIGHT**" are used in this manual it means from a position behind tractor and facing forward.
3. When placing a parts order, refer to this manual for proper part numbers and place order by **PART NO. and DESCRIPTION.**

Table of Contents

General information	2
Warranty Registration	3-4
Safety Instructions	5-9
Bolt Torque	10
John Deere 7000 Series Mounting Bracket Parts Breakdown and List	11
John Deere 8000 Series Mounting Bracket Parts Breakdown and List	12
Case IH 5000 Series Mounting Bracket Parts Breakdown and List	13
Case IH 7100, 7200, & 8900 Series Mounting Bracket Parts Breakdown and List	14
Case IH MX Maxxum Series Mounting Bracket Parts Breakdown and List	15
“Quick Tach” Front Mount Parts Breakdown and List	16
Optional Weight Mount Bracket	17
Optional Leg Storage Stand	17
Optional Light Kit	17
Equipment check List	18



Warranty Registration

Dethmers Manufacturing Company
4010 320th Street • Box 189 • Boyden, Iowa 51234
Toll Free 800-54DEMCO (800-543-3626) • FAX 800-845-6420
www.demco-products.com

- Ag
- RV
- Rental
- Brakes
- Marine

	Very Satisfied	Satisfied	Dissatisfied	Very Dissatisfied
How satisfied are you with our product?	<input type="radio"/>	<input type="radio"/>	<input type="radio"/>	<input type="radio"/>
How satisfied are you with the dealership/distributor sales staff?	<input type="radio"/>	<input type="radio"/>	<input type="radio"/>	<input type="radio"/>
Dealer/Distributor Name _____ City _____ State _____				
How satisfied are you with the company sales staff?	<input type="radio"/>	<input type="radio"/>	<input type="radio"/>	<input type="radio"/>
How satisfied are you with the delivery?	<input type="radio"/>	<input type="radio"/>	<input type="radio"/>	<input type="radio"/>
Did you have any contact with a Demco Representative?	YES	NO		
If YES , how satisfied were you?	<input type="radio"/>	<input type="radio"/>	<input type="radio"/>	<input type="radio"/>
I would recommend this product to my family and friends.	YES	NO		
Would you purchase again from DEMCO?	YES	NO		
Since taking delivery, have you been contacted by the dealer?	YES	NO		
Did you have any problems with this DEMCO product?	YES	NO		
If YES , are you satisfied with the company's resolution of your problem?	<input type="radio"/>	<input type="radio"/>	<input type="radio"/>	<input type="radio"/>

Why did you purchase this product? _____

Please list the specific source of information prompting this purchase.

After purchasing this product, do you see any needed product improvement? _____ If yes, what improvement? _____

What other products would you like to see DEMCO offer? _____

Comments _____

Owner's Name: _____ Mailing Address: _____

City: _____ State: _____ Zip Code: _____

Model#: _____

Serial #: _____

Purchase Date: _____

Owner's Signature: _____

Please return to DETHMERS MFG. CO. By FAX or tri-folding this form to the backside, it is pre-addressed.

Postage

*Dethmers Manufacturing Company
4010 320th Street, Box 189
Boyden, Iowa 51234*

SAFETY

TAKE NOTE! THIS SAFETY ALERT SYMBOL FOUND THROUGHOUT THIS MANUAL IS USED TO CALL YOUR ATTENTION TO INSTRUCTIONS INVOLVING YOUR PERSONAL SAFETY AND SAFETY OF OTHERS. FAILURE TO FOLLOW THESE INSTRUCTIONS CAN RESULT IN INJURY OR DEATH.



**THIS SYMBOL MEANS
ATTENTION
BECOME ALERT
YOUR SAFETY IS INVOLVED!**

SIGNAL WORDS

This manual uses the following signal words--**DANGER**, **WARNING**, and **CAUTION**-- with safety messages. The appropriate signal word has been selected using the following guidelines.

DANGER:

Indicates an imminently hazardous situation that, if not avoided, will result in death or serious injury. This signal word is to be limited to most extreme situations typically for machine components which, for functional purposes, cannot be guarded.

WARNING:

Indicates a potentially hazardous situation that, if not avoided, could result in death or serious injury, and includes hazards that are exposed when guards are removed. It may also be used to alert against unsafe practices.

CAUTION:

Indicates a potentially hazardous situation that, if not avoided, may result in minor or moderate injury. It may also be used to alert against unsafe practices.

**If you have questions not answered in this manual , require additional copies, or if your manual is damaged, please contact your dealer or Dethmers Mfg. Co., P.O. Box 189, 4010 320th Street, Boyden, IA 51234
PH: (712) 725-2311 Toll Free 1-800-543-3626 Fax (712) 725-2380
<http://www.demco-products.com>**



SAFETY...YOU CAN LIVE WITH IT



EQUIPMENT SAFETY GUIDELINES

Every year many accidents occur which could be avoided by a few seconds of thought and more careful approach to handling equipment. You, the operator, can avoid accidents by observing precautions in this section. To avoid personal injury, study precautions and insist those working with you, or you yourself, follow them.

Keep all shields in place. If shield removal becomes necessary for repairs, replace shield prior to use.

Replace any caution, warning, danger or instruction safety decal that is not readable or is missing.

Do not attempt to operate this sprayer under the influence of alcohol or drugs.

Review safety instructions with all users.

Operator should be a responsible adult. **DO NOT ALLOW PERSONS TO OPERATE OR ASSEMBLE THIS SPRAYER UNTIL THEY HAVE DEVELOPED A THOROUGH UNDERSTANDING OF SAFETY PRECAUTIONS AND HOW IT WORKS.**

To prevent injury or death, use a tractor equipped with a roll over protective system (ROPS). Do not paint over, remove, or deface any safety signs or warning decals on your sprayer. Observe all safety signs and practice instructions on them.

Never exceed limits of sprayer. If its ability to do a job, or to do so safely is in question **DON'T TRY IT.**



LIGHTING AND MARKING

It is the responsibility of operator to know lighting and marking requirements of local highway authorities and to install and maintain equipment to provide compliance with regulations. Add extra lights when transporting at night or during periods of limited visibility.

Lighting kits are available from your dealer or manufacturer.



TIRE SAFETY

- Failure to follow proper procedures when mounting tire on rim can produce an explosion resulting in serious injury or death.
- Do not attempt to mount tire unless you have proper equipment and experience.
- Inflating or servicing tires can be dangerous. Whenever possible, trained personnel should be called to service or mount tires.
- Always order and install tires and wheels with appropriate type and load capacity to meet or exceed anticipated weight to be placed on sprayer.



SAFETY SIGN CARE

- Keep safety signs clean and legible at all times.
- Replace safety signs that are missing or have become illegible.
- Replacement parts that displayed a safety sign should also display current sign.
- Safety signs are available from your distributor, dealer parts department, or manufacturer.



REMEMBER

Your best assurance against accidents is a careful and responsible operator. If there is any portion of this manual or function you do not understand, contact your local authorized dealer or manufacturer.



BEFORE OPERATION:

- Carefully study and understand this manual and the Owner's Manual.
- Do not wear loose-fitting clothing which may catch in moving parts.
- Always wear protective clothing and substantial shoes.
- It is recommended that suitable hearing and eye protection be worn.
- Operator may come in contact with certain materials which may require specific safety equipment relative to handling of such materials. (Examples: extremely dusty, molds, fungus, bulk fertilizers, etc.)
- Keep wheel and lug nuts tightened to specified torque.
- Assure that agricultural implement tires are inflated evenly.
- Give sprayer a visual inspection for any loose bolts, worn parts, or cracked welds, and make necessary repairs. Follow maintenance safety instructions included in this manual.
- Be sure there are no tools lying on or in equipment
- Do not use sprayer until you are sure that area is clear, especially around children and animals.
- Don't hurry learning process or take sprayer for granted. Ease into it and become familiar with your new equipment.
- Practice operation of your sprayer and its attachments. Completely familiarize yourself and other operators with its operation before using.
- Use a tractor equipped with Roll Over Protection System (ROPS) and fasten your seat belt prior to starting engine.
- Manufacturer does not recommend usage of tractor with ROPS removed.
- Move tractor wheels to widest recommended settings to increase stability.
- Do not allow anyone to stand between tongue or hitch and towing unit when backing up to equipment.



DURING OPERATION

- Beware of bystanders, **PARTICULARLY CHILDREN!** Always look around to make sure it is safe to start engine of towing unit or move sprayer. This is particularly important with higher noise levels and quiet cabs, as you may not hear people shouting.
- **NO PASSENGERS ALLOWED-** Do not carry passengers anywhere on or in the tractor or sprayer.
- Keep hands and clothing clear of moving parts.
- Do not clean, lubricate, or adjust your sprayer while it is moving.
- When halting operation, even periodically, set tractor or towing unit brakes, disengage PTO, shut off engine, and **remove ignition key.**
- Be especially observant of operating area and terrain- watch for holes, rocks, or other hidden hazards. Always inspect area prior to operation.
 - DO NOT operate near edge of drop-offs or banks.
 - DO NOT operate on steep slopes as overturn may result.
 - Operate up and down (not across) intermediate slopes. Avoid sudden starts and stops.
- Pick the most level possible route when transporting across fields. Avoid edges of ditches, gullies, and steep hillsides.
- Be extra careful when working on inclines.

- Periodically clear equipment of brush, twigs, or other materials to prevent buildup of dry combustible materials.
- Maneuver tractor or towing unit at safe speeds.
- Avoid overhead wires or other obstacles. Contact with overhead lines could cause serious injury or death.
- Avoid loose gravel, rocks, and holes; they can be dangerous for equipment operation or movement.
- Allow for sprayer length when making turns.
- Do not walk or work under raised components or attachments unless securely positioned and blocked.
- Keep all bystanders, pets, and livestock clear of work area.
- Operate towing unit from operators seat only.
- Never stand alongside of unit with engine running or attempt to start engine and/or operate machine while standing alongside of unit.
- Never leave running equipment attachments unattended.
- As a precaution, always recheck hardware on equipment following every 100 hours of operation. Correct all problems. Follow maintenance safety procedures.



FOLLOWING OPERATION

- Following operation, or when unhitching, stop tractor or towing unit, set brakes, disengage PTO and all power drives, shut off engine and **remove ignition key**.
- Store sprayer in an area away from human activity.
- Do not park sprayer where it will be exposed to livestock for long periods of time. Damage and livestock injury could result.
- Do not permit children to play on or around the stored sprayer.
- Make sure all parked machines are on a hard, level surface and engage all safety devices.
- Wheel chocks may be needed to prevent unit from rolling.



HIGHWAY AND TRANSPORT OPERATIONS

- **SAFETY CHAINS:** If equipment is going to be transported on a public highway, always follow state and local regulations regarding safety chains and auxiliary lighting. Be sure to check with local law enforcement agencies for your own particular regulations. If required safety chains should be obtained and installed. Only safety chains (not elastic or nylon/plastic tow straps) should be used to retain connection between towing and towed machines in event of separation of primary attaching system. Use a high strength, appropriately sized hitch pin with a mechanical retainer and attach safety chains. Criss cross chains under tongue and secure to draw bar cage, mounting loops, or bumper frame.
- Adopt safe driving practices:
 - Keep brake pedals latched together at all times. **NEVER USE INDEPENDENT BRAKING WITH SPRAYER IN TOW. LOSS OF CONTROL OR UPSET MAY RESULT.**
 - Always drive at a safe speed relative to local conditions and ensure that your speed is low enough for an emergency stop. Keep speed to a minimum.
 - Reduce speed prior to turns to avoid risk of overturning.
 - Always keep tractor or towing unit in gear to provide engine braking when going downhill. Do not coast.
 - Do not drink and drive!
- Comply with state and local laws governing highway safety and movement of farm machinery on public roads.

- Use approved accessory lighting flags and necessary warning devices to protect operators of other vehicles on highway during transport. Various safety lights and devices are available from your dealer.
- Use of flashing amber lights is acceptable in most localities. However, some localities prohibit their use. Local laws should be checked for all highway lighting and marking requirements.
- When driving tractor and sprayer under 20 mph (40 kph) day or night, use flashing amber warning lights and a slow moving vehicle (SMV) identification emblem.
- Plan your route to avoid heavy traffic.
- Be a safe and courteous driver. Always yield to oncoming traffic in all situations, including narrow bridges, intersections, etc.
- Be observant of bridge load ratings. Do not cross bridges rated lower than gross weight of unit you are operating.
- Watch for obstructions overhead and side to side while transporting.
- Always operate equipment in a position to provide maximum visibility at all times. Make allowances for increased length and weight of sprayer when making turns, or stopping.



PERFORMING MAINTENANCE

- Good maintenance is your responsibility. Poor maintenance is an invitation to trouble.
- Make sure there is plenty of ventilation. Never operate engine of towing vehicle in a closed building. Exhaust fumes may cause asphyxiation.
- Before working on this machine, stop towing vehicle, set brakes, disengage PTO and all power drives, shut off engine and **remove ignition key**.
- Be certain all moving parts and attachments have come to a complete stop before attempting to perform maintenance.
- Always use a safety support and block wheels. Never use a jack to support machine.
- Always use proper tools or equipment for job at hand.
- Use extreme caution when making adjustments.
- Follow torque chart in owners manual when tightening bolts and nuts.
- Never use your hands to locate a hydraulic leak on attachments. Use a small piece of cardboard or wood. Hydraulic fluid escaping under pressure can penetrate skin.
- Openings in skin and minor cuts are susceptible to infection from hydraulic fluid. **Without immediate medical treatment, serious infection and reactions can occur.**
- When disconnecting hydraulic lines, shut off hydraulic supply and relieve all hydraulic pressure.
- Replace **all shields** and **guards** after servicing and before moving.
- After servicing, be sure all tools, parts and service equipment are removed.
- Do not allow grease or oil to build up on any steps or platform.
- When replacing bolts refer to owners manual.
- Refer to bolt torque chart in owners manual for head identification marking.
- Where replacement parts are necessary for periodic maintenance and servicing, genuine factory replacement parts must be used to restore your equipment to original specifications. Manufacturer will not claim responsibility for use of unapproved parts or accessories and other damages as a result of their use.
- If equipment has been altered in any way from original design, manufacturer does not accept any liability for injury or warranty.
- A fire extinguisher and first aid kit should be kept readily accessible while performing maintenance on this equipment

BOLT TORQUE

TORQUE DATA FOR STANDARD NUTS, BOLTS, AND CAPSCREWS.

Tighten all bolts to torques specified in chart unless otherwise noted. Check tightness of bolts periodically, using bolt chart as guide. Replace hardware with same grade bolt.

NOTE: Unless otherwise specified, high-strength Grade 5 hex bolts are used throughout assembly of equipment.

Bolt Torque for Standard bolts *



Torque Specifications

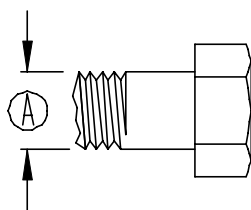
"A"	GRADE 2		GRADE 5		GRADE 8	
	lb-ft	(N.m)	lb-ft	(N.m)	lb-ft	(N.m)
1/4"	6	(8)	9	(12)	12	(16)
5/16"	10	(13)	18	(25)	25	(35)
3/8"	20	(27)	30	(40)	45	(60)
7/16"	30	(40)	50	(70)	80	(110)
1/2"	45	(60)	75	(100)	115	(155)
9/16"	70	(95)	115	(155)	165	(220)
5/8"	95	(130)	150	(200)	225	(300)
3/4"	165	(225)	290	(390)	400	(540)
7/8"	170	(230)	420	(570)	650	(880)
1"	225	(300)	630	(850)	970	(1310)

Bolt Torque for Metric bolts *

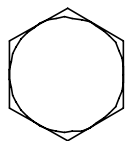
"A"	CLASS 8.8		CLASS 9.8		CLASS 10.9	
	lb-ft	(N.m)	lb-ft	(N.m)	lb-ft	(N.m)
6	9	(13)	10	(14)	13	(17)
7	15	(21)	18	(24)	21	(29)
8	23	(31)	25	(34)	31	(42)
10	45	(61)	50	(68)	61	(83)
12	78	(106)	88	(118)	106	(144)
14	125	(169)	140	(189)	170	(230)
16	194	(263)	216	(293)	263	(357)
18	268	(363)	--	--	364	(493)
20	378	(513)	--	--	515	(689)
22	516	(699)	--	--	702	(952)
24	654	(886)	--	--	890	(1206)

Torque figures indicated are valid for non-greased or non-oiled threads and heads unless otherwise specified. Therefore, do not grease or oil bolts or capscrews unless otherwise specified in this manual. When using locking elements, increase torque values by 5%.

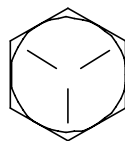
* GRADE or CLASS value for bolts and capscrews are identified by their head markings.



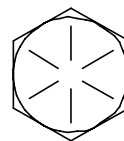
GRADE-2



GRADE-5



GRADE-8



CLASS 8.8



CLASS 9.8

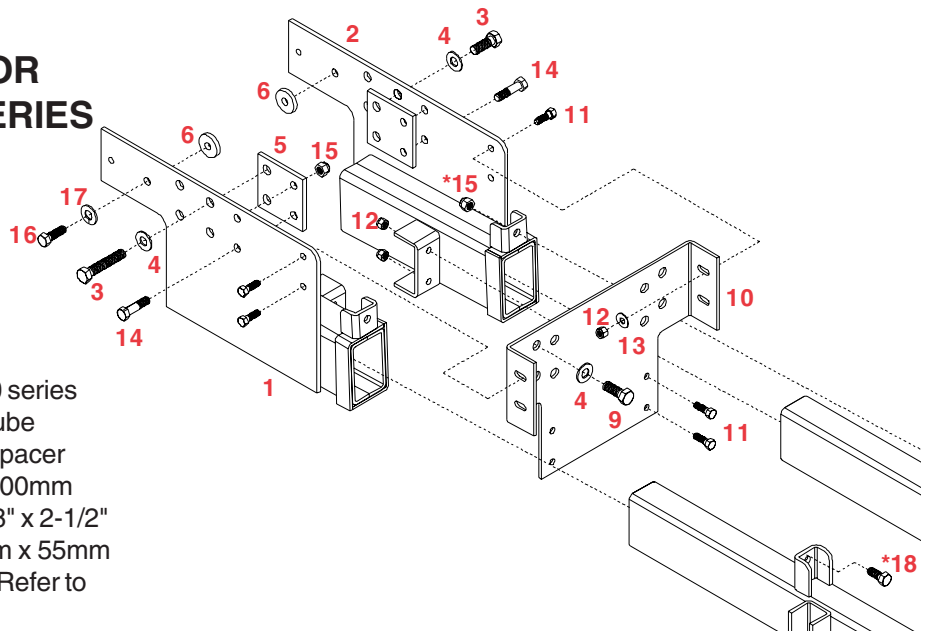


CLASS 10.9



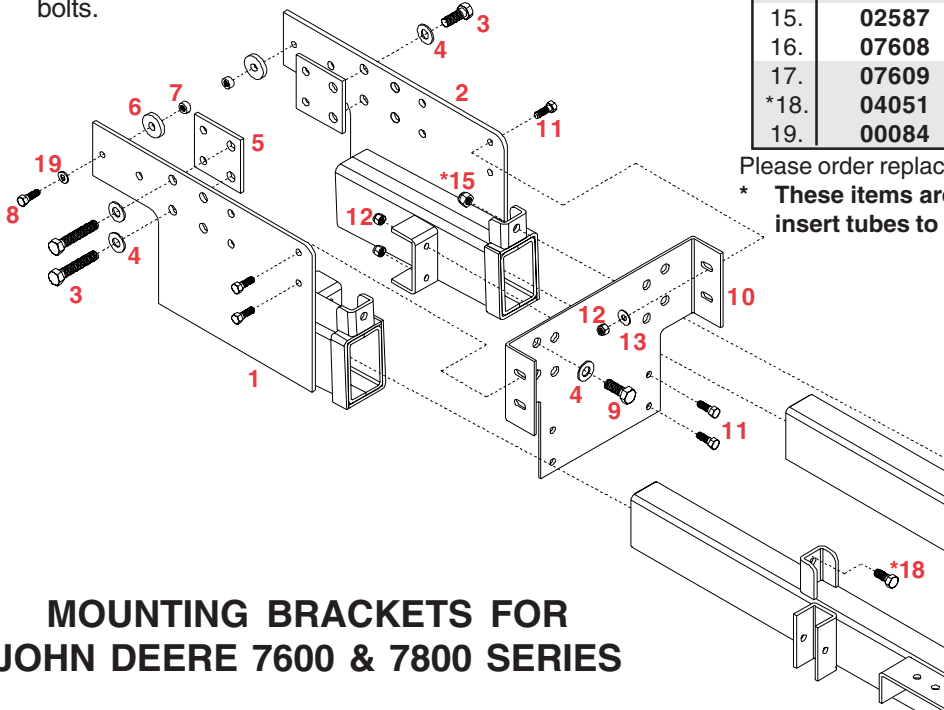
MOUNTING BRACKETS FOR JOHN DEERE 7000 SERIES (MFWD ONLY) "QUICK TACH" FRONT MOUNT PARTS BREAKDOWN AND LIST

MOUNTING BRACKETS FOR JOHN DEERE 7200 & 7400 SERIES



ASSEMBLY

- When mounting brackets on to a **7200** or **7400** series tractor. Loosely attach the right and left side tube mounts (# 1 & #2) with spacer plate (#5), and spacer washer (#6) to the tractor using four 20mm x 100mm bolts (#3), four 20mm flatwashers(#4), four 5/8" x 2-1/2" bolts (#14), four 5/8" locknuts (#15), two 16mm x 55mm bolts (#16), and two 16mm flatwashers (#17). Refer to the diagram above for spacer placement.
- When mounting brackets on to a **7600** or **7800** series tractor. Loosely attach the right and left side tube mounts (#1 & #2) with spacer plate (#5), spacer washer (#6) and spacer bushing (#7) to the tractor using four 20mm x 100mm bolts (#3), four 20mm flatwashers(#4), two 1/2"- 1-1/4" bolts (#8), and two 1/2" lockwashers (#19). Refer to the diagram below for spacer placement.
- Attach front plate (#10) to the front of the tractor using four 20mm x 60mm bolts (#9), and four 20mm flatwashers (#4). Now attach the front plate to the tube mounts (#1 & #2) using eight 1/2" x 1-1/2" bolts (#11), four 1/2" flatwashers (#13), and eight 1/2" locknuts (#12).
- Clamp tube mounts to the front plate and tighten all bolts.

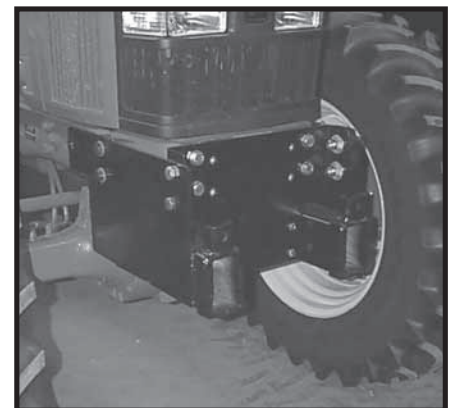


PARTS LIST

REF. NO.	PART NO.	QTY.	DESCRIPTION
1.	07531-35	1	Right Tube Mount
2.	07532-35	1	Left Tube Mount
3.	07612	4	20mm -2.5 x 100mm (10.9) Bolt
4.	07613	8	20mm Flatwasher
5.	07606-35	2	Spacer Plate
6.	07607-95	2	Spacer Washer
7.	07598-95	2	Spacer Bushing
8.	00967	2	1/2"-13 UNC x 1-1/4" Hex Hd. Bolt
9.	03907	4	20mm - 2.5 x 60mm (8.8) Bolt
10.	07533-35	1	Front Plate
11.	01254	8	1/2"-13 UNC x 1-1/2" Hex Hd. Bolt
12.	02178	8	1/2"-13 UNC Nylon Insert Locknut
13.	00085	4	1/2" Flatwasher
14.	04058	4	5/8"-11 UNC x 2-1/2" Hex Hd. Bolt
15.	02587	6	5/8"-11 UNC Nylon Insert Locknut
16.	07608	2	16mm - 2.0 x 55mm (10.9) Bolt
17.	07609	2	16mm Flatwasher
*18.	04051	2	5/8"-11 UNC x 1-1/2" Hex Hd. Bolt
19.	00084	2	1/2" Lockwasher

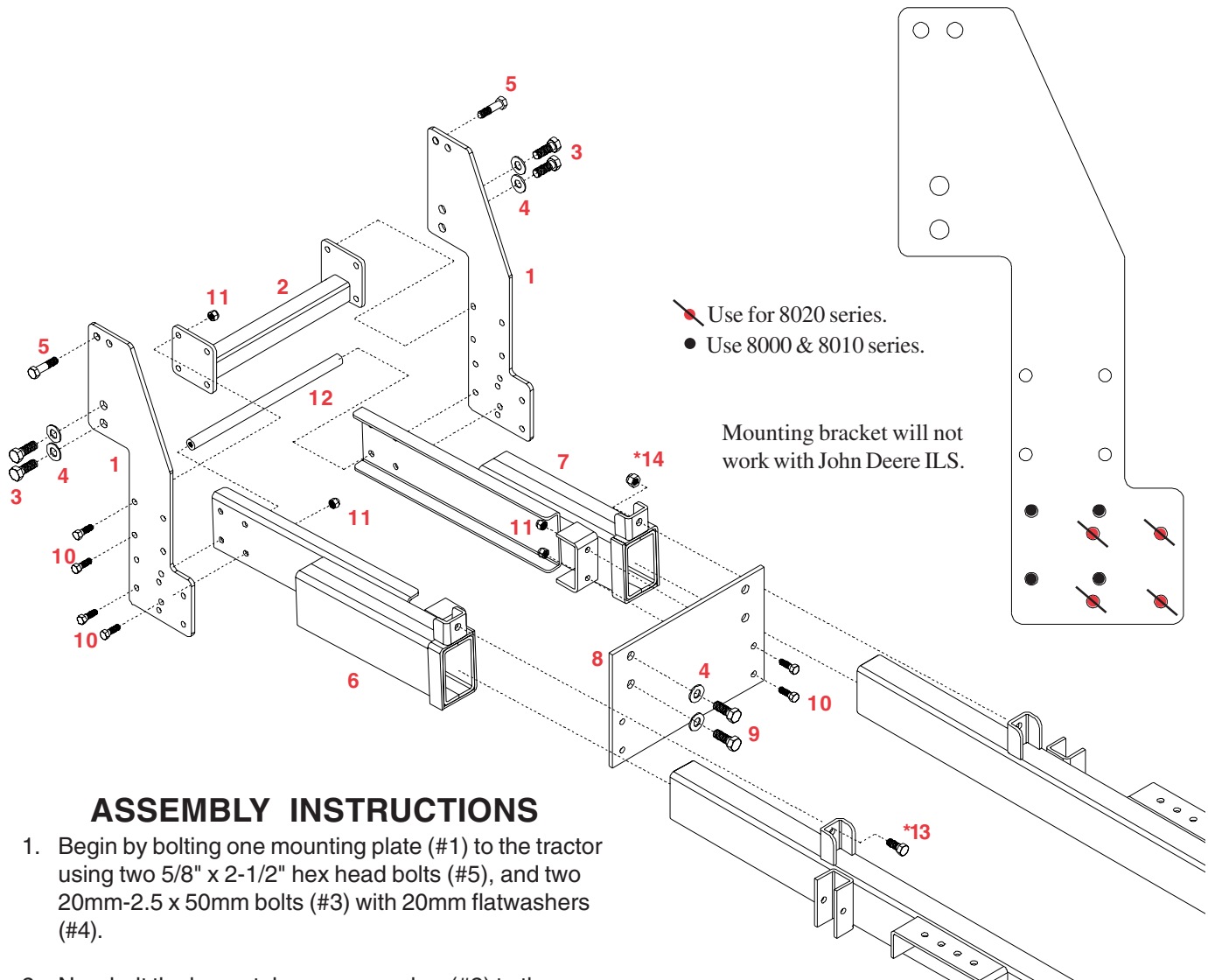
Please order replacement parts by **PART NO.** and **DESCRIPTION.**

* These items are used when mounting the "Quick-Tach" insert tubes to the mounting brackets.



MOUNTING BRACKETS FOR JOHN DEERE 7600 & 7800 SERIES

MOUNTING BRACKETS FOR JOHN DEERE 8000 SERIES (2 WHL. & MFWD) WITH OUT (ILS) INDEPENDENT LINK SUSPENSION "QUICK TACH" FRONT MOUNT PARTS BREAKDOWN AND LIST



ASSEMBLY INSTRUCTIONS

1. Begin by bolting one mounting plate (#1) to the tractor using two 5/8" x 2-1/2" hex head bolts (#5), and two 20mm-2.5 x 50mm bolts (#3) with 20mm flatwashers (#4).
2. Now bolt the brace tube crossmember (#2) to the mounting plate using four 1/2" x 1-1/2" hex head bolts (#10), and four locknuts (#11).
3. Attach the other mounting plate (#1) to the opposite side of tractor using two 5/8" x 2-1/2" hex head bolts (#5), and two 20mm-2.5 x 50mm bolts (#3) with 20mm flatwashers (#4), and bolt the other end of the brace tube crossmember (#2) to the mounting plate (#1) using four 1/2" x 1-1/2" hex head bolts (#10), and four locknuts (#11).
4. Bolt front plate (#8) to the tractor using four 20mm-2.5 x 60mm bolts (#9), and four flatwashers (#4).
5. Attach the tube mounting brackets (#6 & #7) to the mounting plates (#1), and front plate (#8) on both sides using twelve 1/2" x 1-1/2" hex head bolts (#10), ten 1/2" locknuts (#11), and threaded brace tube (#12) as shown in the diagram above.

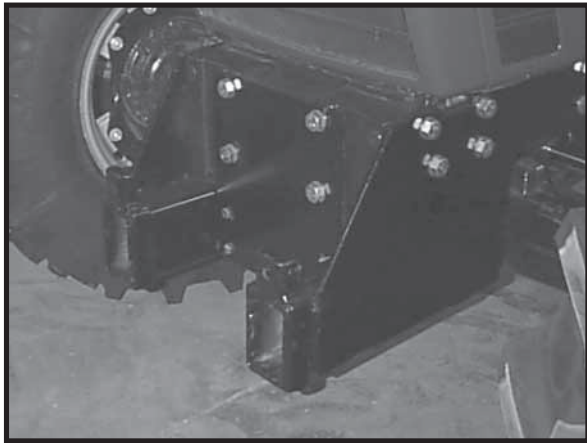
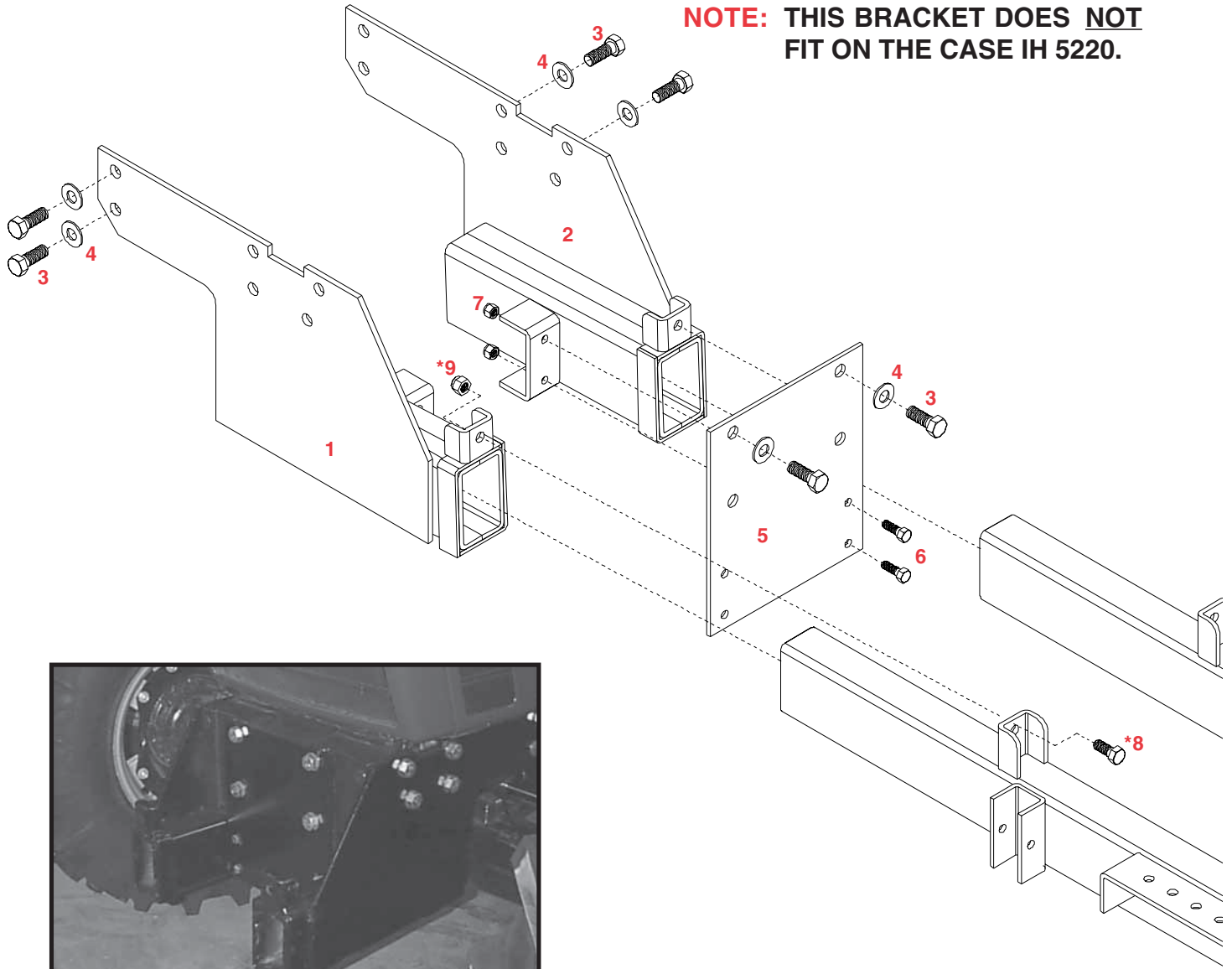
PARTS LIST

REF. NO.	PART NO.	QTY.	DESCRIPTION
1.	07547-35	2	Mounting Plate
2.	07542-35	1	Brace Tube Mount
3.	03840	4	20mm -2.5 x 50mm (8.8) Bolt
4.	07613	8	20mm Flatwasher
5.	04058	4	5/8"-11 UNC x 2-1/2" Hex Hd. Bolt
6.	07543-35	1	Right Tube Mount
7.	07544-35	1	Left Tube Mount
8.	07545-35	1	Front Plate
9.	03907	4	20mm -2.5 x 60mm (8.8) Bolt
10.	01254	20	1/2"-13 UNC x 1-1/2" Hex Hd. Bolt
11.	02178	18	1/2"-13 UNC Nylon Insert Locknut
12.	07546-95	1	Threaded Brace Tube
*13.	04051	2	5/8"-11 UNC x 1-1/2" Hex Hd. Bolt
*14.	02587	2	5/8"-11 UNC Nylon Insert Locknut

Please order replacement parts by **PART NO.** and **DESCRIPTION.**
*These items are used when mounting the "Quick-Tach" insert tubes to the mounting brackets.

MOUNTING BRACKETS FOR CASE IH 5230, 5240, & 5250 SERIES (2 WHL. & MFWD) "QUICK TACH" FRONT MOUNT PARTS BREAKDOWN AND LIST

NOTE: THIS BRACKET DOES NOT FIT ON THE CASE IH 5220.



ASSEMBLY

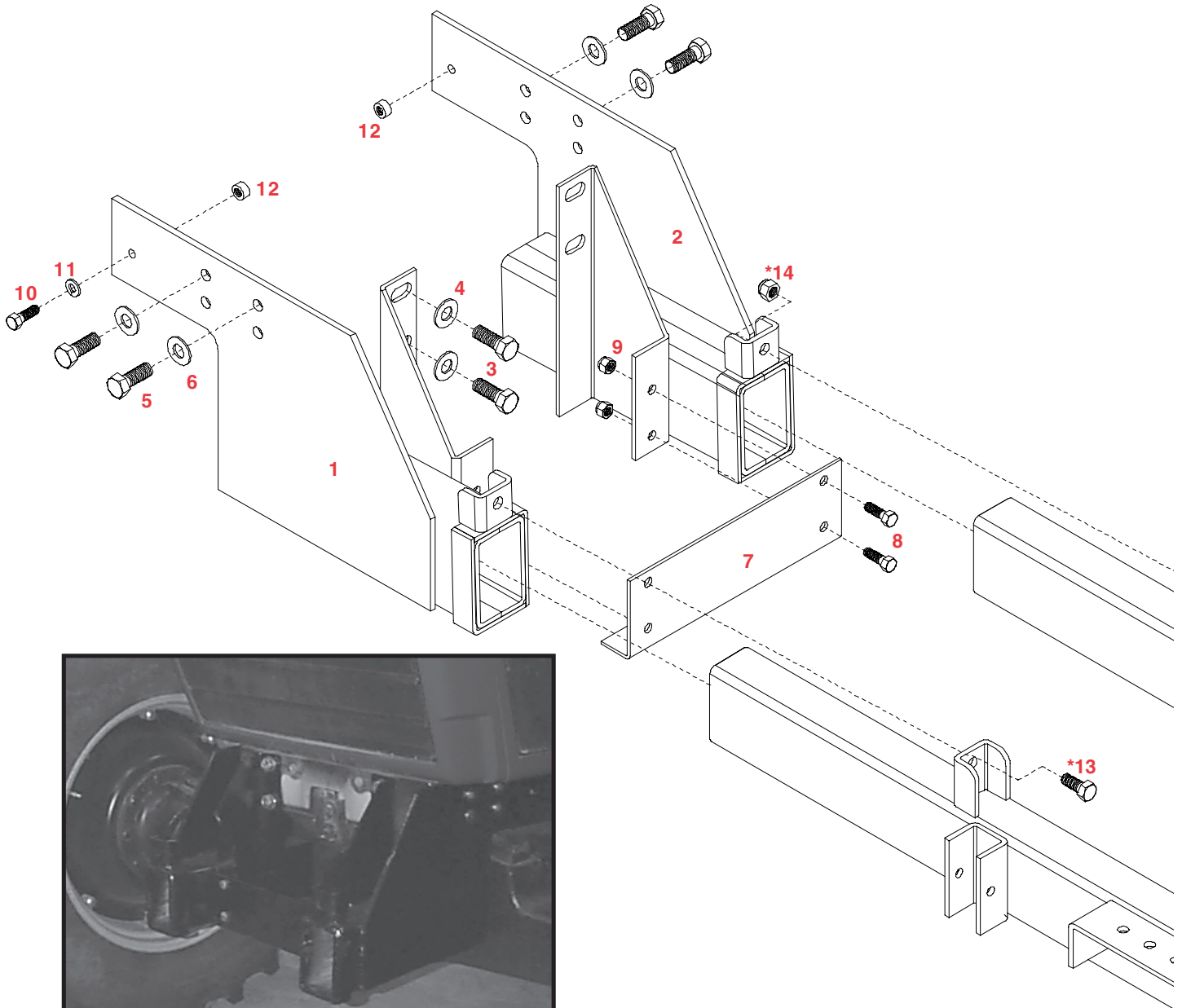
1. Loosely attach mounting brackets (#1 & #2) to the tractor using twelve 20mm x 50mm bolts (#3), and twelve 20mm flatwashers (#4). Refer to diagram above.
2. Attach front plate (#5) to the tractor and mounting brackets as shown using four 20mm x 50mm bolts (#3), four 20mm flatwashers (#4), four 1/2" x 1-1/2" bolts (#6), and four 1/2" locknuts (#7).
3. Clamp tube mounts together and tighten all bolts.

PARTS LIST

REF. NO.	PART NO.	QTY.	DESCRIPTION
1.	07527-35	1	Right Mounting Tube
2.	07528-35	1	Left Mounting Tube
3.	03840	16	20mm -2.5 x 50mm (8.8) Bolt
4.	07613	16	20mm Flatwasher
5.	07529-35	1	Front Plate
6.	01254	4	1/2"-13 UNC x 1-1/2" Hex Hd. Bolt
7.	02178	4	1/2"-13 UNC Nylon Insert Locknut
*8.	04051	2	5/8"-11 UNC x 1-1/2" Hex Hd. Bolt
*9.	02587	2	5/8"-11 UNC Nylon Insert Locknut

Please order replacement parts by **PART NO.** and **DESCRIPTION.**
 * These items are used when mounting the "Quick-Tach" insert tubes to the mounting brackets.

MOUNTING BRACKETS FOR CASE IH 7100, 7200 AND 8900 SERIES (2 WHL. & MFWD) "QUICK TACH" FRONT MOUNT PARTS BREAKDOWN AND LIST



ASSEMBLY

1. Loosely attach mounting brackets (#1 & #2) to the tractor using four 20mm x 50mm bolts (#3), four 20mm flatwashers (#4), eight 16mm x 55mm bolts (#5), and eight 16mm flatwashers (#6). Refer diagram above.
2. Attach front plate (#7) to mounting brackets as shown using four 1/2" x 1-1/2" bolts (#8), and four 1/2" locknuts (#9).
3. Clamp tube mounts together on mounting angle and tighten all bolts.

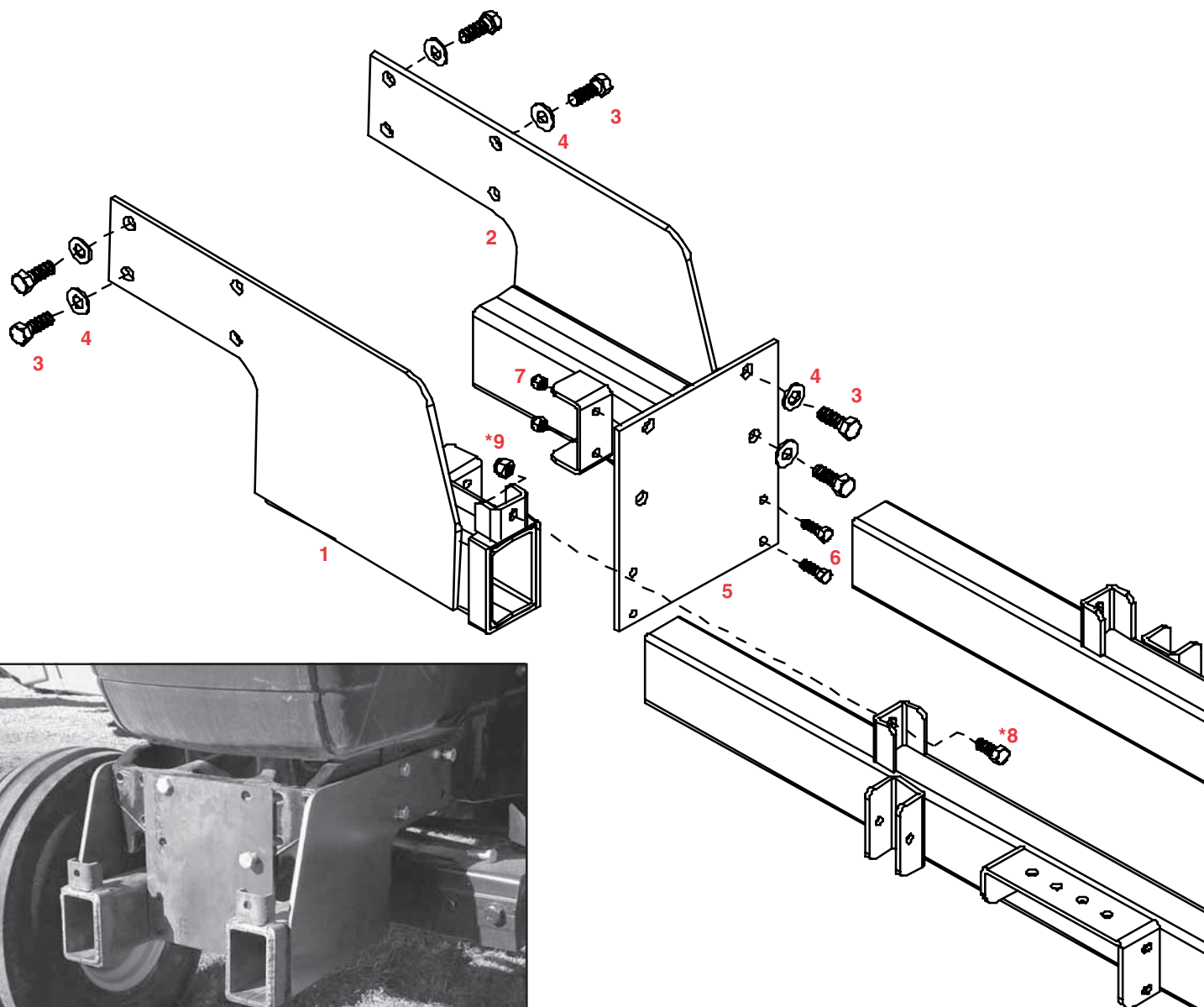
PARTS LIST

REF. NO.	PART NO.	QTY.	DESCRIPTION
1.	07539-35	1	Right Tube Mount
2.	07540-35	1	Left Tube Mount
3.	03840	4	20mm -2.5 x 50mm 8.8 Bolt
4.	07613	4	20mm Flatwasher
5.	07608	8	16mm - 2.0 x 55mm 10.9 Bolt
6.	07609	8	16mm Flatwasher
7.	07541-35	1	Front Plate
8.	01254	4	1/2"-13 UNC x 1-1/2" Hex Hd. Bolt
9.	02178	4	1/2"-13 UNC Nylon Insert Locknut
10..	00967	2	1/2"-13 UNC x 1/1/4" Hex Hd. Bolt
11.	00084	2	1/2" Lockwasher
12.	07598-95	2	Spacer Bushing
*13.	04051	2	5/8"-11 UNC x 1-1/2" Hex Hd. Bolt
*14.	02587	2	5/8"-11 UNC Nylon Insert Locknut

Please order replacement parts by **PART NO.** and **DESCRIPTION.**

* **These items are used when mounting the "Quick-Tach" insert tubes to the mounting brackets.**

MOUNTING BRACKETS FOR CASE IH MX MAXXUM (2 WHL. & MFWD) "QUICK TACH" FRONT MOUNT PARTS BREAKDOWN AND LIST



ASSEMBLY

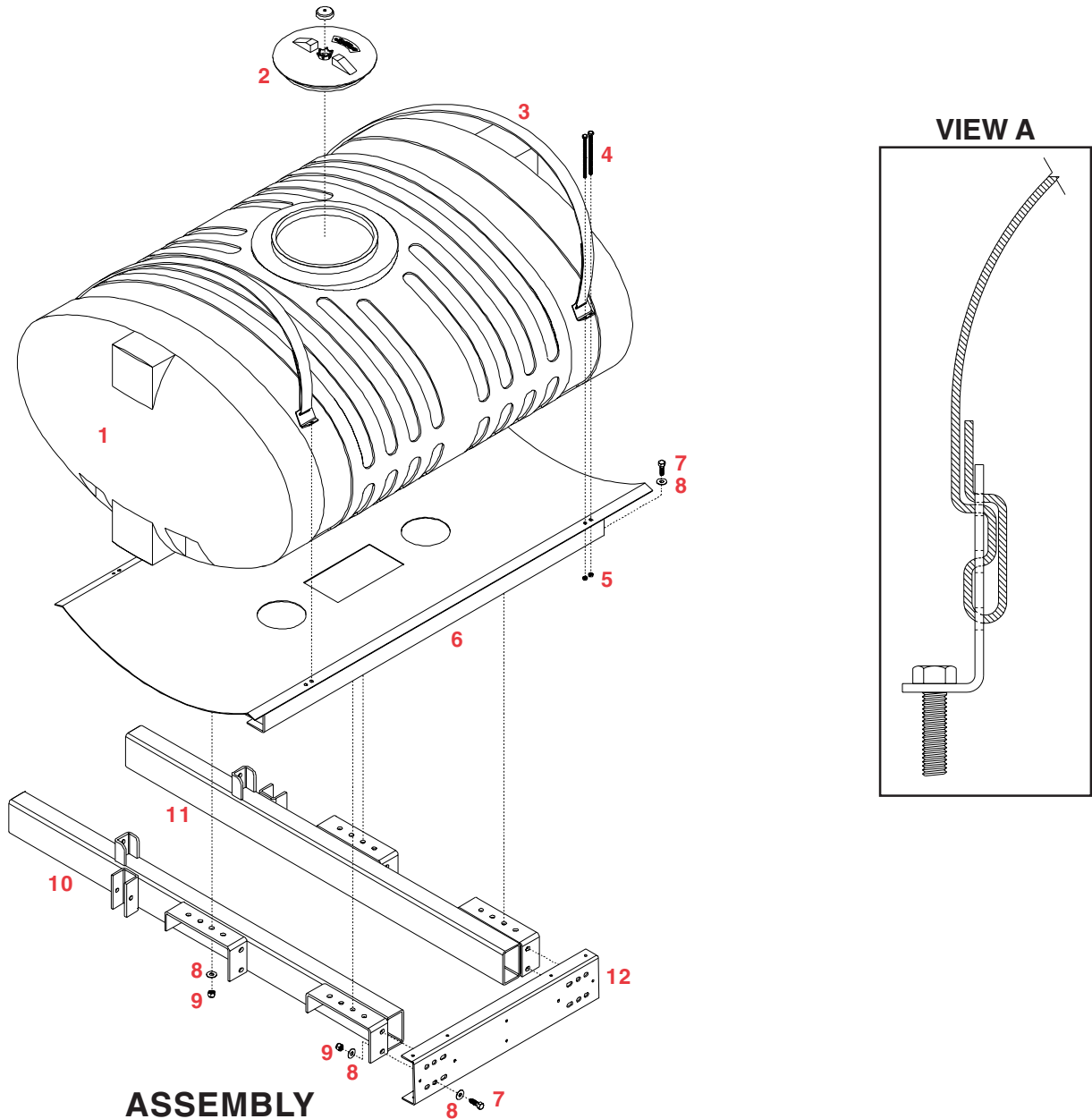
1. Loosely attach mounting brackets (#1 & #2) to the tractor using four 20mm x 50mm bolts (#3), four 20mm flatwashers (#4).
2. Attach front plate (#5) to mounting brackets and tractor as shown using four 1/2" x 1-1/2" bolts (#6), four 1/2" locknuts (#7), four 20mm x 50mm bolts (#3), and four 20mm flatwashers.
3. Clamp tube mounts together on mounting angle and tighten all bolts.

PARTS LIST

REF. NO.	PART NO.	QTY.	DESCRIPTION
1.	11022-35	1	Right Mounting Tube
2.	11023-35	1	Left Mounting Tube
3.	03840	12	20mm -2.5 x 50mm (8.8) Bolt
4.	07613	12	20mm Flatwasher
5.	11021-35	1	Front Plate
6.	01254	4	1/2"-13 UNC x 1-1/2" Hex Hd. Bolt
7.	02178	4	1/2"-13 UNC Nylon Insert Locknut
*8.	04051	2	5/8"-11 UNC x 1-1/2" Hex Hd. Bolt
*9.	02587	2	5/8"-11 UNC Nylon Insert Locknut

Please order replacement parts by **PART NO.** and **DESCRIPTION.**
 * These items are used when mounting the "Quick-Tach" insert tubes to the mounting brackets.

"QUICK TACH" 200 AND 300 GALLON FRONT MOUNT PARTS BREAKDOWN AND PARTS LIST



ASSEMBLY

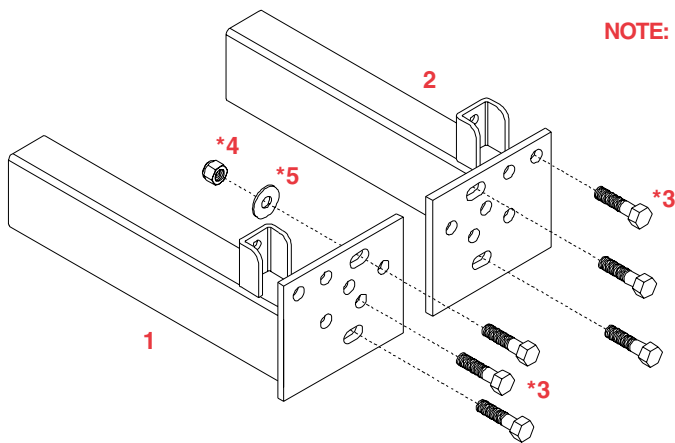
1. Insert tubes (#10 & #11) into brackets mounted on tractor, and secure using 5/8" x 1-1/2" bolts and 5/8" locknuts which are not shown in above diagram. (refer to the diagrams on pages 4-7).
2. Bolt on front handle plate (#12) as shown using four 1/2" x 1-1/2" bolts (#7), eight 1/2" flatwashers (#8), and four 1/2" locknuts (#9).
3. Attach saddle/skid (#6) to the insert tubes (#10 & #11) using four 1/2" x 1-1/2" bolts (#7), eight 1/2" flatwashers (#8), and four 1/2" locknuts (#9).
4. Make sure all bolts are tightened at this time.
5. Weave straps through anchors as shown in View A. Insert tank (#1) into saddle/skid (#6), and secure with two straps w/ anchors (#3), eight 3/8" x 6" full thread bolts (#4), and eight 3/8" locknuts (#5).

PARTS LIST

REF. NO.	PART NO.	QTY.	DESCRIPTION
1.	PE200R	1	200 Gallon Elliptical Tank
-	PE300R	-	300 Gallon Elliptical Tank (shown)
2.	5478R	1	10" Diameter Lid w/ external threads
-	5479R	-	10" Replacement Fillwell
3.	05367	2	1-3/4" Black Polyester Strap - 86" ea.
-	05785-95	4	Strap Anchors
4.	01885	8	3/8"-16 UNC x 5" Full Thread Bolt
5.	02592	8	3/8"-16 UNC Nylon Insert Locknut
6.	07534-35	1	200 Gallon Saddle Skid
-	07535-35	-	300 Gallon Saddle Skid (shown)
7.	01254	8	1/2"-13 UNC x 1-1/2" Hex Hd. Bolt
8.	00085	16	1/2" Flatwasher
9.	02178	8	1/2"-13 UNC Nylon Insert Locknut
10.	07537-35	1	Right Insert Tube
11.	07538-35	1	Left Insert Tube
12.	07536-35	1	Front Handle Plate

Please order replacement parts by **PART NO.** and **DESCRIPTION.**

OPTIONAL WEIGHT MOUNTING BRACKET (9470003)



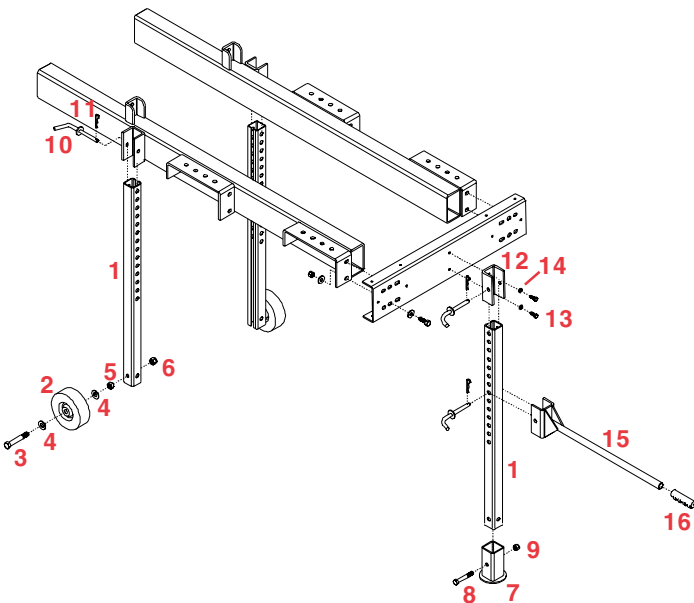
NOTE: When mounting use existing 5/8" x 1-1/2" bolts and 5/8" locknuts used to mount the "Quick-Tach" insert tubes (refer to pages 4-7).

PARTS LIST

REF. NO.	PART NO.	QTY.	DESCRIPTION
1.	07549-35	1	Right Insert Tube
2.	07550-35	1	Left Insert Tube
*3.	05047	6	3/4"-10 UNC x 2-1/2" Hex Hd. Bolt
*4.	02961	6	3/4"-10 UNC Nylon Insert Locknut
*5.	00492	4	3/4" Flatwasher

Please order replacement parts by **PART NO.** and **DESCRIPTION.**
* Items used to attach weight mount.

OPTIONAL LEG STORAGE STAND (9470002)

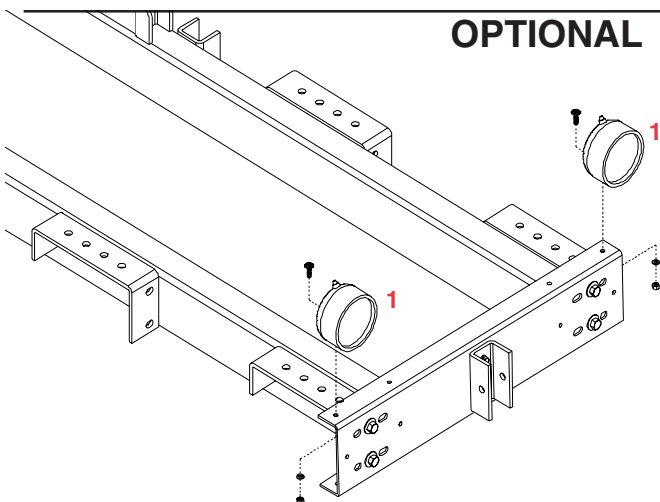


PARTS LIST

REF. NO.	PART NO.	QTY.	DESCRIPTION
1.	07551-35	3	Post Stand Tube
2.	04445	2	6" Wheels
3.	02496	2	5/8"-11 UNC x 4" Hex Hd. Bolt
4.	00477	4	5/8" Flatwasher
5.	00489	2	5/8"-11 UNC Jam Nut
6.	02587	2	5/8"-11 UNC Nylon Insert Locknut
7.	07552-35	1	Post Stand Base
8.	05290	1	1/2"-13 UNC x 3-1/4" Hex Hd. Bolt
9.	02178	1	1/2"-13 UNC Nylon Insert Locknut
10.	01718-95	4	Locking Pin
11.	00182	4	.125 Hair Pin
12.	07624-35	1	Front Leg Channel
13.	01899	2	3/4"-16 UNC x 3/4" Hex Head Bolt
14.	00060	2	3/8" Lockwasher
15.	07625-35	1	Handle
16.	04395	1	Handle Grip

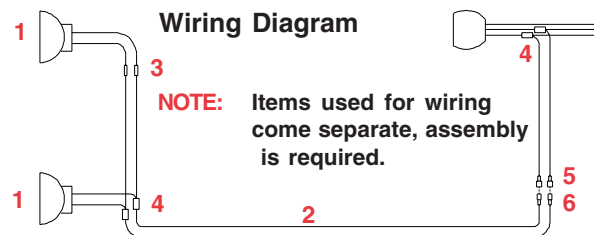
Please order replacement parts by **PART NO.** and **DESCRIPTION.**

OPTIONAL LIGHT KIT (9470008)



NOTE: Mounting hardware is included with light. There are optional mounting holes for desired location.

Tractor Light



PARTS LIST

REF. NO.	PART NO.	QTY.	DESCRIPTION
1.	07436	2	Round Sealed Beam Light
2.	07618	-	14-2 Electrical Wire - 20'
3.	07378	2	Inline Butt Connector (16-14 Ga)
4.	01883	4	Wire Splicer
5.	05020	2	Male Bullet Connector
6.	05021	2	Female Bullet Connector
7.	04269	6	Wire Tie Down Clip (not shown)

Please order replacement parts by **PART NO.** and **DESCRIPTION.**

EQUIPMENT CHECKLIST:

Downtime caused by field breakdowns is costly and time consuming. Many breakdowns can be eliminated by periodic equipment maintenance. By spending time reviewing this checklist before seasonal spraying application time and following proper after-season care, you can save time and money later.



WARNING: To Prevent Serious Injury Or Death

- Keep hands, feet, and loose clothing away from rotating parts.
- Wear protective clothing recommended by your chemical and fertilizer manufacturer when working with chemicals.

Check Before Going To The Field :

- 1. HOSES**
Check all hoses for worn or soft spots. Be sure all hose clamps are tightened and hoses are not kinked or pinched. Check for leakage in any lines.
- 2. TANK**
Inspect fitting and grommets to insure they are in good condition.
- 3. CONTROLS**
Check for leakage, plugging, or wear on all valves, fittings, etc. Clean off any build up of foreign material.
- 4. PUMP**
Check to be sure pump turns freely.
- 5. FRAME**
Be sure all bolts are tightened.
- 6. REPLACEMENT PARTS**
Replace all worn or damaged parts.

After Season Care:

NOTE: It is important to wear proper safety equipment when cleaning the sprayer. See your chemical or fertilizer package for this information.

1. After spraying chemicals, run water mixed with cleaners through tank, pump and all hose hookups. If wettable powder dries out in the system, it is very difficult to put back into suspension and can cause malfunction, damage or injury.
2. When cleaned, tank should have all openings closed or covered to keep dirt from entering.
3. Pump should be flushed with soluble oil and pump ports plugged to keep out moisture and air.
4. Disassemble tips and rinse with water or cleaning solution. (Appropriate for chemical sprayed). Never use wire or hard object that could distort opening.
5. Dispose of all unused chemicals or solutions in a proper and ecologically sound manner.
6. Water rinse and dry tips before storing.
5. To prevent damage due to freezing, use RV antifreeze to keep lines from being damaged

NOTE: DETHMERS MANUFACTURING COMPANY does not and will not make any recommendations concerning application of various chemicals or solutions. These recommendations relate to either amount or procedure of materials applied. If you have any questions regarding application of certain chemicals or solutions, contact your chemical supplier and follow chemical manufacturer recommendations.

NOTES:



DETHMERS MFG. COMPANY

P.O. BOX 189

4010 320th St., BOYDEN, IA. 51234

PH: (712) 725-2311 FAX: (712) 725-2380

TOLL FREE: 1-800-54DEMCO (1-800-543-3626)

www.demco-products.com